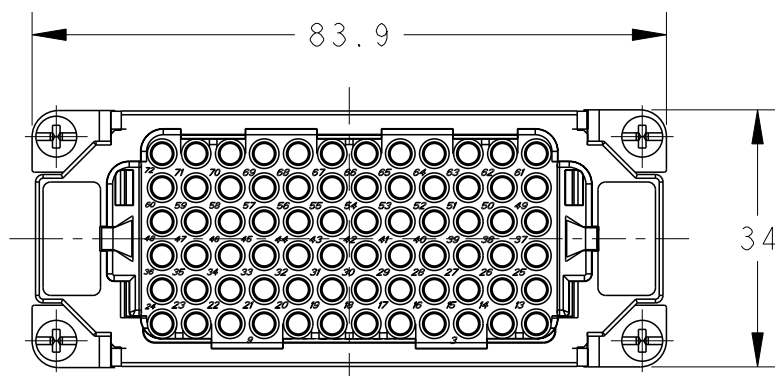
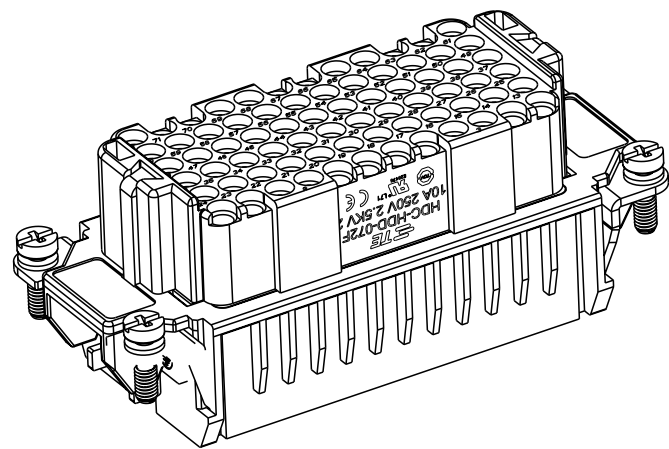


THIS DRAWING IS UNPUBLISHED. RELEASED FOR PUBLICATION 20

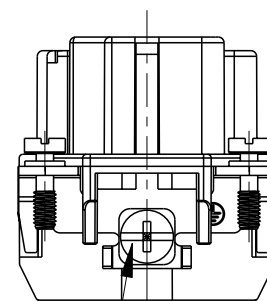
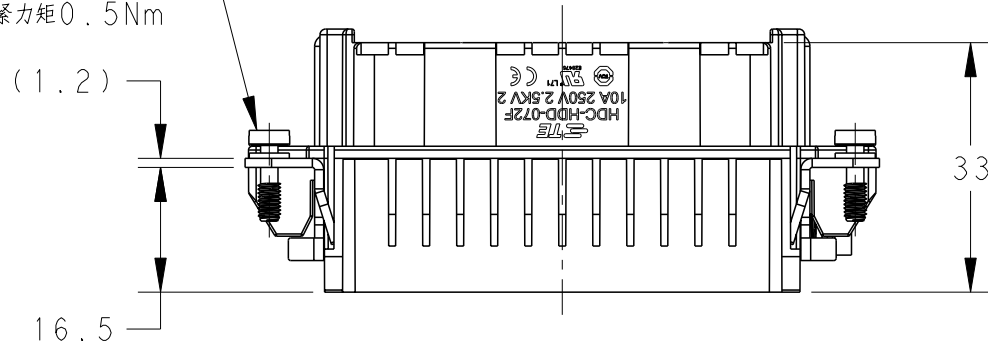
© COPYRIGHT 20 BY - ALL RIGHTS RESERVED.

REVISIONS

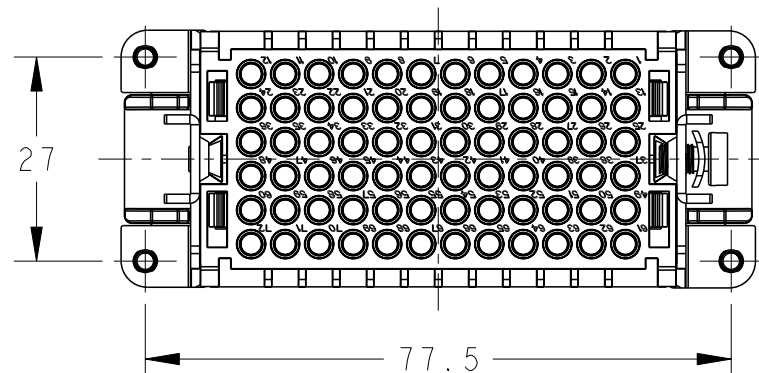
P	LTR	DESCRIPTION	DATE	DWN	APVD
A2		ECR-15-007632	25MAY2015	DW	CW
B		ECR-15-013292	24SEP2015	DL	CW
B1		ECR-16-015492	21NOV2016	QY	CW
C		ECR-21-105887	26JUL2021	BS	CW



4X M3 SCREW RECOMMENDED  
TIGHTENING TORQUE 0.5Nm  
4X M3螺丝, 推荐锁紧力矩0.5Nm



M4 SCREW  
RECOMMENDED  
TIGHTENING  
TORQUE 1.2Nm  
M4 螺丝, 推荐锁紧力矩1.2Nm



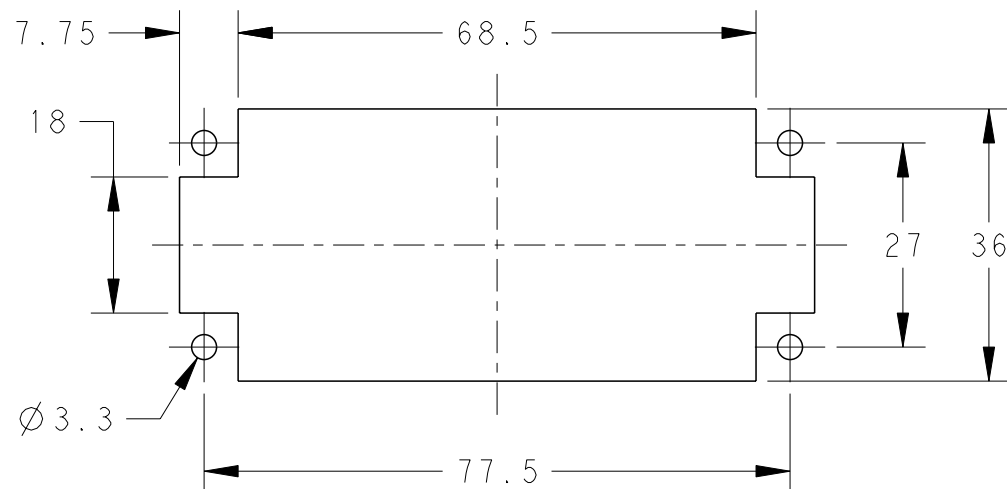
NOTES:

- TECHNICAL CHARACTERISTICS:  
INSULATION MATERIAL: PC  
RATED VOLTAGE: 250 V  
RATED CURRENT: 10 A  
INSULATION RESISTANCE:  $\geq 400M\Omega$   
RATED IMPULSE VOLTAGE: 2.5 KV  
POLLUTION DEGREE: 2  
FLAMMABILITY: UL94V-0  
MATING CYCLES: 500 CYCLES  
WIRE RANGE: 0.14-2.5 mm<sup>2</sup> (26-14 AWG)  
CONTACT TYPE: CRIMP CONTACT
- CONTACT NEED TO BE ORDERED SEPARATELY.  
(ORDER No. REFER TO DRAWING: T20200X20XX000)

注释:

- 技术参数:  
绝缘材料: PC  
额定电压: 250V  
额定电流: 10A  
绝缘电阻:  $\geq 400M\Omega$   
额定脉冲电压: 2.5 KV  
污染等级: 2  
阻燃等级: UL94V-0  
插拔次数: 500次  
接线范围: 0.14-2.5 mm<sup>2</sup> (26-14 AWG)  
接线类型: 冷压接
- 端子需要单独订购。  
(订货号参考图面: T20200X20XX000)

TYPE-1, T2030722201-000, TE LOGO  
类型-1, T2030722201-000, TE LOGO

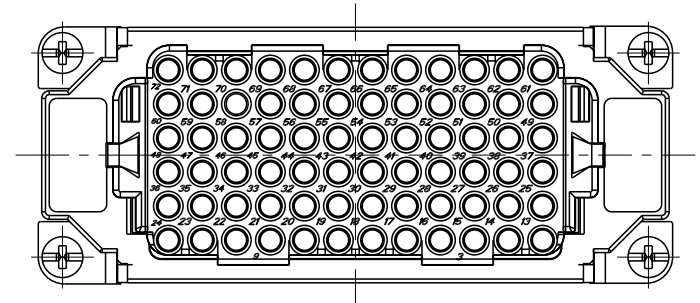


PANEL CUT OUT FOR INSERTS FOR USING  
WITHOUT HODDS/HOUSINGS  
不用防护外壳时芯件的安装开孔图

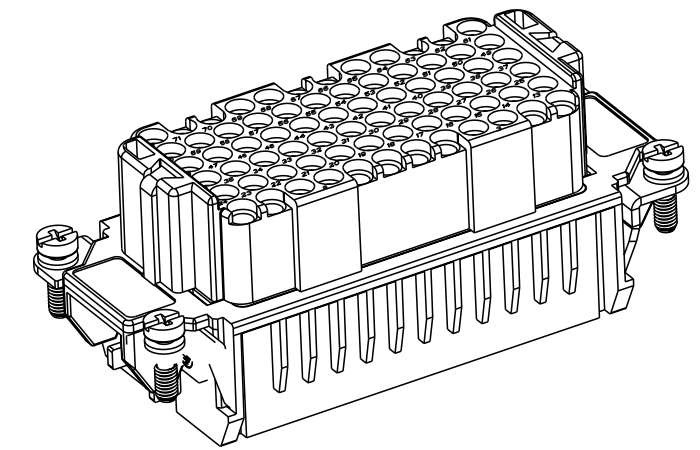
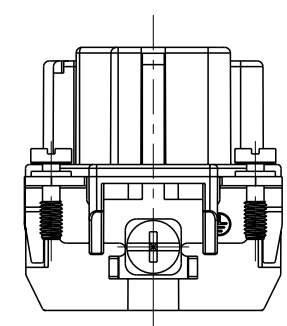
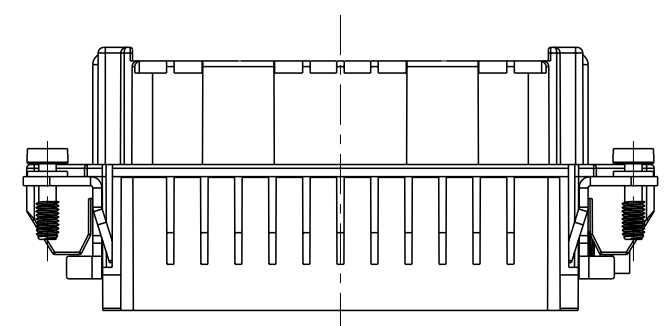
THIS DRAWING IS A CONTROLLED DOCUMENT.		DWN	29OCT2014	 TE Connectivity		NAME HDD-072-F			
DIMENSIONS: mm 		CHK	29OCT2014						
		APVD	29OCT2014						
TOLERANCES UNLESS OTHERWISE SPECIFIED:		PRODUCT SPEC	108-137043						
0 PLC ±- 1 PLC ±- 2 PLC ±- 3 PLC ±- 4 PLC ±- ANGLES ±-		APPLICATION SPEC	114-137043	SIZE	CAGE CODE	DRAWING NO	RESTRICTED TO		
MATERIAL		WEIGHT	-	A3	00779	T2030722201000	-		
FINISH		Customer Drawing		SCALE	1:1	SHEET	1 OF 2	REV	C

THIS DRAWING IS UNPUBLISHED. RELEASED FOR PUBLICATION 20  
 © COPYRIGHT 20 BY - ALL RIGHTS RESERVED.

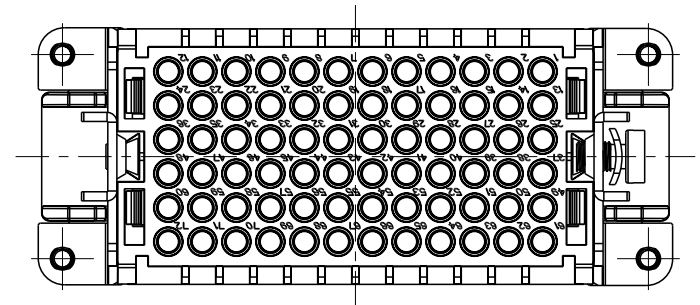
REVISIONS					
P	LTR	DESCRIPTION	DATE	DWN	APVD
-		SEE SHEET 1	-	-	-



NOTE:  
 SEE SHEET 1  
 注释:  
 见页 1



TYPE-2, T2030722201-001, STAINLESS STEEL SCREW, NO LOGO  
 类型-2, T2030722201-001, 不锈钢螺丝, 无LOGO



T2030722201-001	HDD-072-F	HDD-072 FEMALE INSERT, CRIMPING SPLIT TYPE, STAINLESS STEEL SCREW, NO LOGO HDD-072 母插, 冷压针分体式, 不锈钢螺丝, 无LOGO	TYPE-2 类型-2
T2030722201-000	HDD-072-F	HDD-072 FEMALE INSERT, CRIMPING SPLIT TYPE HDD-072 母插, 冷压针分体式	TYPE-1 类型-1
PART NUMBER 料号		PART DESCRIPTION 描述	TYPE 类型

ALL DIMENSIONS ARE SAME AS TYPE 1, EXCEPT THOSE DEFINED IN THIS TYPE.  
 除了在本类型中定义的尺寸外, 其它尺寸同类型 1

THIS DRAWING IS A CONTROLLED DOCUMENT.		DWN 29OCT2014 David Wang			
DIMENSIONS: mm		CHK 29OCT2014 Chris Wang			
TOLERANCES UNLESS OTHERWISE SPECIFIED:		APVD 29OCT2014 Xiang Xu	NAME HDD-072-F		
0 PLC ±- 1 PLC ±- 2 PLC ±- 3 PLC ±- 4 PLC ±- ANGLES ±-		PRODUCT SPEC 108-137043	RESTRICTED TO		
MATERIAL		APPLICATION SPEC 114-137043	SIZE A3	CAGE CODE 00779	DRAWING NO T2030722201000
FINISH		WEIGHT	SCALE 1:1		
		Customer Drawing	SHEET 2 OF 2		
			REV C		

printed on 27 Jul 2021 16:23 (China Standard Time) from TE236667